

بِسْمِ اللّٰهِ الرَّحْمٰنِ الرَّحِیْمِ



މަސައްސަވާ

މަސައްސަވާ ގެ ނަންބަރު: 17
މަސައްސަވާ ގެ ނަންބަރު: 12 (2024 ވަނަ އަހަރު)

Renovation work of Kulhudhuffushi City Council

Vehicle Garage

PC-266/2024/W-26

(2024 ވަނަ އަހަރު 12) (IUL)266-PR/266/2024/174

3 ވަނަ ބައި

މަސައްސަވާ ގެ ނަންބަރު:

މަސައްސަވާ ގެ ނަންބަރު:

މަސައްސަވާ ގެ ނަންބަރު:

މަސައްސަވާ ގެ ނަންބަރު: 17 (2024 ވަނަ އަހަރު)

(a) Maqarada qanunijja ta' Kulhudhuffushicity

7.7. **Maqarada qanunijja ta' Kulhudhuffushicity** 7.1. **Maqarada qanunijja ta' Kulhudhuffushicity** *Maqarada qanunijja ta' Kulhudhuffushicity*

7.1.1 **Maqarada qanunijja ta' Kulhudhuffushicity** (1-*Maqarada qanunijja ta' Kulhudhuffushicity*)

7.1.2 **Maqarada qanunijja ta' Kulhudhuffushicity** (2-*Maqarada qanunijja ta' Kulhudhuffushicity*)

7.1.3 **Maqarada qanunijja ta' Kulhudhuffushicity** (3-*Maqarada qanunijja ta' Kulhudhuffushicity*)

7.1.4 **Maqarada qanunijja ta' Kulhudhuffushicity** (4-*Maqarada qanunijja ta' Kulhudhuffushicity*)

7.1.5 **Maqarada qanunijja ta' Kulhudhuffushicity** (5 - *Maqarada qanunijja ta' Kulhudhuffushicity*)

7.1.6 **Maqarada qanunijja ta' Kulhudhuffushicity** (6-*Maqarada qanunijja ta' Kulhudhuffushicity*)

8.1 **Maqarada qanunijja ta' Kulhudhuffushicity** 8.1. **Maqarada qanunijja ta' Kulhudhuffushicity** *Maqarada qanunijja ta' Kulhudhuffushicity*

8.2 **Maqarada qanunijja ta' Kulhudhuffushicity** 8.2. **Maqarada qanunijja ta' Kulhudhuffushicity** *Maqarada qanunijja ta' Kulhudhuffushicity*

9.1 **Maqarada qanunijja ta' Kulhudhuffushicity** 9.1. **Maqarada qanunijja ta' Kulhudhuffushicity** *Maqarada qanunijja ta' Kulhudhuffushicity*

9.2 **Maqarada qanunijja ta' Kulhudhuffushicity** 9.2. **Maqarada qanunijja ta' Kulhudhuffushicity** *Maqarada qanunijja ta' Kulhudhuffushicity*

9.3 **Maqarada qanunijja ta' Kulhudhuffushicity** 9.3. **Maqarada qanunijja ta' Kulhudhuffushicity** *Maqarada qanunijja ta' Kulhudhuffushicity*

10.1 **Maqarada qanunijja ta' Kulhudhuffushicity** 10.1. **Maqarada qanunijja ta' Kulhudhuffushicity** *Maqarada qanunijja ta' Kulhudhuffushicity*

10.2 **Maqarada qanunijja ta' Kulhudhuffushicity** 10.2. **Maqarada qanunijja ta' Kulhudhuffushicity** *Maqarada qanunijja ta' Kulhudhuffushicity*

(b) Maqarada qanunijja ta' Kulhudhuffushicity

28.1 ... 28. ...

29.1 ... 29. ...

29.2 ...

29.3 ...

(ع) ...

30.1 ... 30. ...

30.2 ...

30.3 ...

30.4 ...

30.5 ...

31.1 ...

(1) *...*

(1) *...*

(2) *...*

(3) *...*

(4) *...*

34.1 *...*

34 *...*

34.2 *...*

...

(1) *...*

(2) *...*

34.3 *...*

35.35 35.35
35.35 35.35
35.35 35.35

35.1 35.1
35.1 35.1
35.1 35.1

(A) (A)
(B) (B)
(C) (C)

36.36 36.36
36.36 36.36
36.36 36.36

36.1 36.1
36.1 36.1
36.1 36.1

(A) (A)
(B) (B)
(C) (C)

(A) (A)
(B) (B)
(C) (C)

37.37 37.37
37.37 37.37
37.37 37.37

37.1 37.1
37.1 37.1
37.1 37.1

(1) (1)
(2) (2)

(3) *...*

...

(4) *...*

(5) *...*

(6) *...*

...

(7) *...*

(8) *...*

...

(1) *...*

...

(2) *...*

...

(3) *...*

...

...

...

...

(4) *...*

...

...

...

...

...

...

(5) *...*

...

(15) *އިދާރާތަކުން ނުވަތަ ފަރާތަކުން ސަރުކާރުގެ ބޭނުންކުރާ ގަވާއިދުގެ ޖަދުވަލު 15 ވަނަ ބައި*

ގަވާއިދުގެ ޖަދުވަލު 15 ވަނަ ބައި ގެ ދަށުން ސަރުކާރުގެ ބޭނުންކުރާ ގަވާއިދުގެ ޖަދުވަލު 15 ވަނަ ބައި.

(ނ) *ހިމާލުގެ ދަށުން ސަރުކާރުގެ ބޭނުންކުރާ ގަވާއިދުގެ ޖަދުވަލު 15 ވަނަ ބައި ގެ ދަށުން ސަރުކާރުގެ ބޭނުންކުރާ ގަވާއިދުގެ ޖަދުވަލު 15 ވަނަ ބައި.*

ސަރުކާރުގެ ބޭނުންކުރާ ގަވާއިދުގެ ޖަދުވަލު 15 ވަނަ ބައި ގެ ދަށުން ސަރުކާރުގެ ބޭނުންކުރާ ގަވާއިދުގެ ޖަދުވަލު 15 ވަނަ ބައި.

ސަރުކާރުގެ ބޭނުންކުރާ ގަވާއިދުގެ ޖަދުވަލު 15 ވަނަ ބައި ގެ ދަށުން ސަރުކާރުގެ ބޭނުންކުރާ ގަވާއިދުގެ ޖަދުވަލު 15 ވަނަ ބައި.

ސަރުކާރުގެ ބޭނުންކުރާ ގަވާއިދުގެ ޖަދުވަލު 15 ވަނަ ބައި ގެ ދަށުން ސަރުކާރުގެ ބޭނުންކުރާ ގަވާއިދުގެ ޖަދުވަލު 15 ވަނަ ބައި.

ސަރުކާރުގެ ބޭނުންކުރާ ގަވާއިދުގެ ޖަދުވަލު 15 ވަނަ ބައި ގެ ދަށުން ސަރުކާރުގެ ބޭނުންކުރާ ގަވާއިދުގެ ޖަދުވަލު 15 ވަނަ ބައި.

ސަރުކާރުގެ ބޭނުންކުރާ ގަވާއިދުގެ ޖަދުވަލު 15 ވަނަ ބައި.

3 - *...*

...

38.1 *...* " *...* " *...* *...*

38.2 *...* " *...* " *...* *...*

38.3 *...* " *...* " *...* *...*

38.4 *...* " *...* " *...* *...*

38.5 *...* " *...* " *...* *...*

38.6 *...* " *...* " *...* *...*

... " *...* " *...* *...*

38.7 *...* " *...* " *...* *...*

39.1 *...* " *...* " *...* *...*

39.2. **40.1** **40.2** **41.1** **41.2** **41.3** **42.1** **42.2**

39.2. **40.1** **40.2** **41.1** **41.2** **41.3** **42.1** **42.2**

39.3. **40.1** **40.2** **41.1** **41.2** **41.3** **42.1** **42.2**

39.3. **40.1** **40.2** **41.1** **41.2** **41.3** **42.1** **42.2**

40. **40.1** **40.2** **41.1** **41.2** **41.3** **42.1** **42.2**

37.1 **40.1** **40.2** **41.1** **41.2** **41.3** **42.1** **42.2**

41. **41.1** **41.2** **41.3** **42.1** **42.2**

37.1 **40.1** **40.2** **41.1** **41.2** **41.3** **42.1** **42.2**

37.1 **40.1** **40.2** **41.1** **41.2** **41.3** **42.1** **42.2**

37.1 **40.1** **40.2** **41.1** **41.2** **41.3** **42.1** **42.2**

42. **42.1** **42.2**

37.1 **40.1** **40.2** **41.1** **41.2** **41.3** **42.1** **42.2**

37.1 **40.1** **40.2** **41.1** **41.2** **41.3** **42.1** **42.2**

42.3. 2,500,000/- 2500000

0.005 (0.005) 0.005

$$CP * 0.005 * LD = \dots$$

CP (CP) 0.005

LD (LD) 0.005

43.1 43. 43.1

43.2 43.2

43.3 43.3

43.4 43.4

44.1 44. 44.1

44.2 44.2

2 - ڄڻوڻو ڇوڪر ڏيکارڻ جو	
1. ڇوڪر ڏيکارڻ جو ڄڻوڻو	
1.1	ڇوڪر ڏيکارڻ جو ڄڻوڻو
1.2	ڄڻوڻو
2. ڇوڪر ڏيکارڻ جو ڄڻوڻو	
2.1	ڇوڪر ڏيکارڻ جو ڄڻوڻو
2.2	ڇوڪر ڏيکارڻ جو ڄڻوڻو
3. ڇوڪر ڏيکارڻ جو	
3.1	ڇوڪر ڏيکارڻ جو ڇوڪر ڏيکارڻ جو (ڄڻوڻو) ڇوڪر ڏيکارڻ جو (ڇوڪر ڏيکارڻ جو)
3.2	ڇوڪر ڏيکارڻ جو (ڇوڪر ڏيکارڻ جو)
4. ڇوڪر ڏيکارڻ جو ڄڻوڻو	
4.1	ڇوڪر ڏيکارڻ جو ڄڻوڻو / ڇوڪر ڏيکارڻ جو ڄڻوڻو ڇوڪر ڏيکارڻ جو ڄڻوڻو ڇوڪر ڏيکارڻ جو ڄڻوڻو ڇوڪر ڏيکارڻ جو ڄڻوڻو / ڇوڪر ڏيکارڻ جو ڄڻوڻو ڇوڪر ڏيکارڻ جو ڄڻوڻو ڇوڪر ڏيکارڻ جو ڄڻوڻو ڇوڪر ڏيکارڻ جو ڄڻوڻو.
4.2	ڇوڪر ڏيکارڻ جو ڄڻوڻو / ڇوڪر ڏيکارڻ جو ڄڻوڻو ڇوڪر ڏيکارڻ جو ڄڻوڻو ڇوڪر ڏيکارڻ جو ڄڻوڻو ڇوڪر ڏيکارڻ جو ڄڻوڻو ڇوڪر ڏيکارڻ جو ڄڻوڻو ڇوڪر ڏيکارڻ جو ڄڻوڻو.
4.3	ڇوڪر ڏيکارڻ جو ڄڻوڻو 90 ڏينهن ڇوڪر ڏيکارڻ جو ڄڻوڻو ڇوڪر ڏيکارڻ جو ڄڻوڻو ڇوڪر ڏيکارڻ جو ڄڻوڻو / ڇوڪر ڏيکارڻ جو ڄڻوڻو ڇوڪر ڏيکارڻ جو ڄڻوڻو ڇوڪر ڏيکارڻ جو ڄڻوڻو ڇوڪر ڏيکارڻ جو ڄڻوڻو ڇوڪر ڏيکارڻ جو ڄڻوڻو.
5. ڇوڪر ڏيکارڻ جو ڄڻوڻو	
ڇوڪر ڏيکارڻ جو	ڇوڪر ڏيکارڻ جو
ڇوڪر ڏيکارڻ جو	ڇوڪر ڏيکارڻ جو
ڇوڪر ڏيکارڻ جو	ڇوڪر ڏيکارڻ جو
ڇوڪر ڏيکارڻ جو	ڇوڪر ڏيکارڻ جو

3 - ԵԶՐՈՒՄ

ՆՆԱԳՐՈՒԹՅԱՆ ԿՐԹԱԿՆԱԿՆԵՐԻ ԿԱՌԱՐԱՐՈՒՄ

1. ՆՆԱԳՐՈՒԹՅԱՆ ԿՐԹԱԿՆԱԿՆԵՐԻ ԿԱՌԱՐԱՐՈՒՄ		
	-1.1	ԵԶՐԱԿՐԻՄԻ ՏՐՆՈՒ
	-1.2	ԵԶՐԱԿՐԻՄԻ ՆԱԽԵՐՋՈՒՄՈՒՆԱԿԱՆ ԴԱՆՏԻՆԵ
	-1.3	ԵԶՐԱԿՐԻՄԻ ՍՐՏՈՒՄ
	-1.4	ԵԶՐԱԿՐԻՄԻ ԿՐԱՆՈՒՄՈՒՆԱԿԱՆ ԿՐԹԱԿՆԱԿՆԵՐԻ ԿԱՌԱՐԱՐՈՒՄ
	-1.5	ԵԶՐԱԿՐԻՄԻ ԵԶՐԱԿՐԻՄԻ ԿՐԹԱԿՆԱԿՆԵՐԻ
	-1.6	ԿՐԹԱԿՆԱԿՆԵՐԻ ԿՐԹԱԿՆԱԿՆԵՐԻ
	-1.7	ԿՐԹԱԿՆԱԿՆԵՐԻ ԿՐԹԱԿՆԱԿՆԵՐԻ
2. ՆՆԱԳՐՈՒԹՅԱՆ ԿՐԹԱԿՆԱԿՆԵՐԻ ԿԱՌԱՐԱՐՈՒՄ (ՆԱԽԵՐՋՈՒՄՈՒՆԱԿԱՆ ԿՐԹԱԿՆԱԿՆԵՐԻ ԿԱՌԱՐԱՐՈՒՄ, ԵԶՐԱԿՐԻՄԻ ԿՐԹԱԿՆԱԿՆԵՐԻ ԿԱՌԱՐԱՐՈՒՄ, ԿՐԹԱԿՆԱԿՆԵՐԻ ԿԱՌԱՐԱՐՈՒՄ, ԿՐԹԱԿՆԱԿՆԵՐԻ ԿԱՌԱՐԱՐՈՒՄ ԵՎ ԿՐԹԱԿՆԱԿՆԵՐԻ ԿԱՌԱՐԱՐՈՒՄ)		
ՎճԱՐ	ՏՐՆՈՒ	#

4 - ބަޔާން

މި ބަޔާނުގައި ބަޔާންކޮށްފައިވާ ގޮތުން

މި ބަޔާނުގައި ބަޔާންކޮށްފައިވާ ގޮތުން			
ނަންބަރު (މި ބަޔާނުގައި ބަޔާންކޮށްފައިވާ ގޮތުން)	ނަންބަރު	ނަންބަރު	#
	މި ބަޔާނު		
މި ބަޔާނުގައި ބަޔާންކޮށްފައިވާ ގޮތުން			
ނަންބަރު (މި ބަޔާނުގައި ބަޔާންކޮށްފައިވާ ގޮތުން)	ނަންބަރު	ނަންބަރު	ނަންބަރު
	މި ބަޔާނު		

5 - 5

5 (5) 5

<p>5 (5) 5</p>	<p></p>	<p></p>	<p></p>	<p>#</p>
<p>5</p>				

بۆلۈم 6

ئورمان ئىقتىسادىنى تەرەققىي قىلىش ۋە ساقلاشنى تەشۋىش قىلىش ئورمان ئىقتىسادىنى تەرەققىي قىلىش ۋە ساقلاشنى تەشۋىش قىلىش

بۆلۈم نومۇرى	بۆلۈم نامى	بۆلۈم تۈرى
95	<p>بۆلۈم 95 / بۆلۈم 95 x 95</p> <p>(بۆلۈم 95 ۋە بۆلۈم 95 ئورمان ئىقتىسادىنى تەرەققىي قىلىش ۋە ساقلاشنى تەشۋىش قىلىش)</p>	بۆلۈم
5	<p>بۆلۈم 5 / بۆلۈم 5 x 5</p> <p>(بۆلۈم 5 ۋە بۆلۈم 5 ئورمان ئىقتىسادىنى تەرەققىي قىلىش ۋە ساقلاشنى تەشۋىش قىلىش)</p> <p>بۆلۈم 5 ۋە بۆلۈم 5 ئورمان ئىقتىسادىنى تەرەققىي قىلىش ۋە ساقلاشنى تەشۋىش قىلىش</p> <p>بۆلۈم 5 ۋە بۆلۈم 5 ئورمان ئىقتىسادىنى تەرەققىي قىلىش ۋە ساقلاشنى تەشۋىش قىلىش</p> <p>بۆلۈم 5 ۋە بۆلۈم 5 ئورمان ئىقتىسادىنى تەرەققىي قىلىش ۋە ساقلاشنى تەشۋىش قىلىش</p>	بۆلۈم
100	بۆلۈم 100	بۆلۈم

ބަޔާންކޮށްފައިވާ ގޮތުން 7
(ސަފުހާ 1 ގައި ބަޔާންކޮށްފައިވާ ގޮތުން)

Form of Bid Security (Bank Guarantee)

WHEREAS,[name of Bidder] (hereinafter called “the Bidder”) [company registration number] has submitted his Bid for the Project no.....issued by the Secretariat of Kulhudhuffushi City Council onfor construction of[name of Contract] (hereinafter called “the Bid”) under Invitation of bidders No. [Announcement Number]

KNOW ALL PEOPLE by these presents that We [name of Bank] of [name of country] having our registered office at (hereinafter called “the Bank”) are bound unto[name of Purchaser] (hereinafter called “the Purchaser”) in the sum of *..... for which payment well and truly to be made to the said Purchaser, the Bank binds itself, its successors, and assigns by these presents.

SEALED with the Common Seal of the said Bank thisday of20.....

THE CONDITIONS of this obligation are:

- (1) If, after Bid opening, the Bidder withdraws his Bid during the period of Bid validity specified in the Form of Bid; or
(2) If the Bidder having been notified of the acceptance of his Bid by the Purchaser during the period of Bid validity:
(a) fails or refuses to execute the Form of Agreement in accordance with the Instructions to Bidders, if required; or
(b) fails or refuses to furnish the Performance Security, in accordance with the Instruction to Bidders; or
(c) does not accept the correction of the Bid Price pursuant to Clause 27,

* The Bidder should insert the amount of the Guarantee in words and figures denominated in Maldivian Rufiyaa. This figure should be the same as shown in Clause 28.1 of the Instructions to Bidders.

we undertake to pay to the Purchaser up to the above amount upon receipt of his first written demand, without the Purchaser’s having to substantiate his demand, provided that in his demand the Purchaser will note that the amount claimed by him is due to him owing to the occurrence of one or any of the three conditions, specifying the occurred condition or conditions.

This Guarantee will remain in force up to and including the date days after the deadline for submission of bids as such deadline is stated in the Instructions to Bidders or as it may be extended by the Purchaser, notice of which extension(s) to the Bank is hereby waived. Any demand in respect of this Guarantee should reach the Bank not later than the above date.

DATE..... SIGNATURE OF THE BANK

WITNESS SEAL

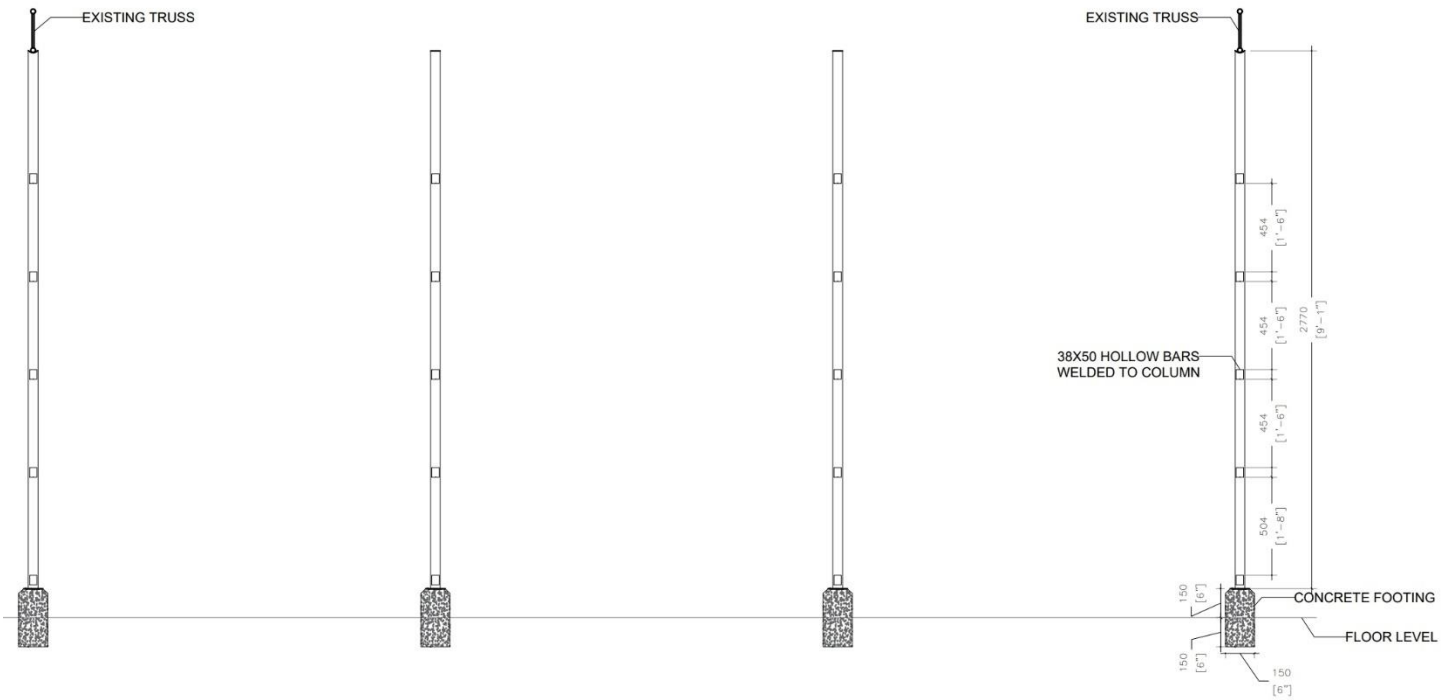
[signature, name, and address]

5 - ڪم ۽ سامان

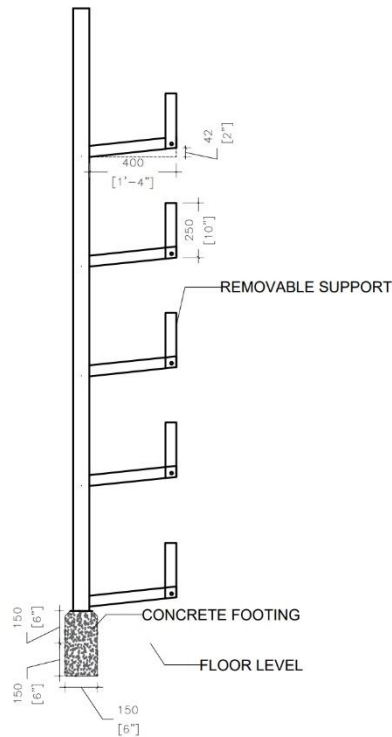
ڪم ۽ سامان جي ٿيڪو

No.	Description	Rate	Total
1	Storage rack	1	
2	Tools box	1	
3	Locker	1	
4	Compressor	1	
5	Nozzle set	1	
6	Hose Reel	2	
7	Vacuum	1	
8	Blower	1	
9	Pressure washer	1	
		Sub Total	
		GST 8%	
		Net Total	

ANNEX 1



FRONT VIEW



SIDE VIEW

4. ئۆزگەرتىش سېتىمى

4.1. ئۆزگەرتىش سېتىمى ۋە ئۆزگەرتىش سېتىمىنى ئۆزگەرتىش سېتىمىنى ئۆزگەرتىش سېتىمى

4.2. 1/4" ئۆزگەرتىش سېتىمى ئۆزگەرتىش سېتىمىنى ئۆزگەرتىش سېتىمى

4.3. ئۆزگەرتىش سېتىمىنى ئۆزگەرتىش سېتىمىنى ئۆزگەرتىش سېتىمى

4.3.1 1 ئۆزگەرتىش سېتىمى (Air spray gun)

4.3.2 1 ئۆزگەرتىش سېتىمى (Air blow gun)

4.3.3 1 ئۆزگەرتىش سېتىمى (Air washing gun)

4.3.4 1 ئۆزگەرتىش سېتىمى (Air tire-inflating gun)

4.3.5 1 ئۆزگەرتىش سېتىمى (Spiral air hose)



5. قۇرۇلمىسى

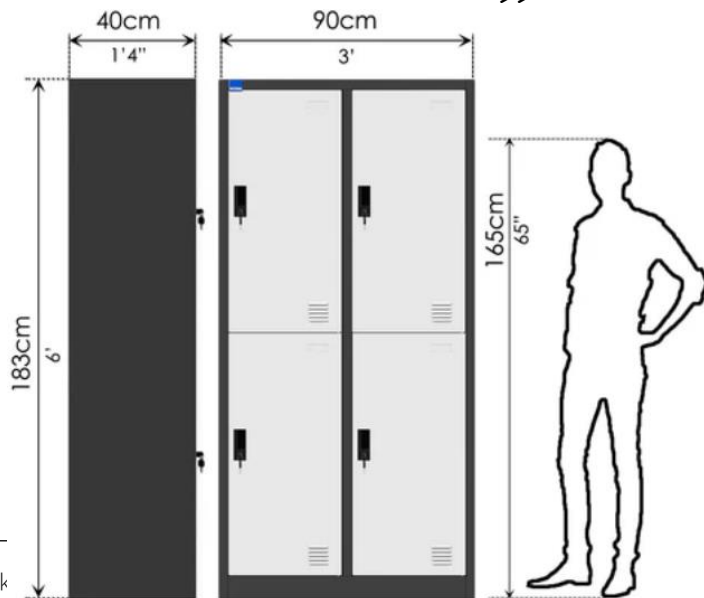
5.1. ئۆزگەرتىش سېتىمىنى ئۆزگەرتىش سېتىمىنى ئۆزگەرتىش سېتىمىنى ئۆزگەرتىش سېتىمى

5.2. ئۆزگەرتىش سېتىمىنى ئۆزگەرتىش سېتىمىنى ئۆزگەرتىش سېتىمىنى ئۆزگەرتىش سېتىمى

5.3. ئۆزگەرتىش سېتىمىنى ئۆزگەرتىش سېتىمىنى ئۆزگەرتىش سېتىمىنى ئۆزگەرتىش سېتىمى

5.4. ئۆزگەرتىش سېتىمىنى ئۆزگەرتىش سېتىمىنى ئۆزگەرتىش سېتىمىنى ئۆزگەرتىش سېتىمى

5.5. ئۆزگەرتىش سېتىمىنى ئۆزگەرتىش سېتىمىنى ئۆزگەرتىش سېتىمىنى ئۆزگەرتىش سېتىمى



8. ئېلېكترونلۇق پۇشۇش ماشىنىسى

- 8.1. ماشىنىسىنىڭ ئىشلىتىش ۋە تەمىناتىنىڭ قىممىتى ۋە ئىشلىتىش ۋە تەمىناتىنىڭ قىممىتى.
- 8.2. رايون ئېلېكترونلۇق پۇشۇش ماشىنىسىنىڭ ئىشلىتىش ۋە تەمىناتىنىڭ قىممىتى.
- 8.3. ئېلېكترونلۇق پۇشۇش ماشىنىسىنىڭ ئىشلىتىش ۋە تەمىناتىنىڭ قىممىتى ۋە ئىشلىتىش ۋە تەمىناتىنىڭ قىممىتى.
- 8.4. 3/4" رىس ئىشلىتىش ۋە تەمىناتىنىڭ قىممىتى ۋە ئىشلىتىش ۋە تەمىناتىنىڭ قىممىتى.



Minimum Requirements:

1.Tools Box

Quantity: 1

Overall Size	Width	Depth	Height
	76.5 cm	46.5 cm	73 cm
Size with caster	84 cm	46.5 cm	88.5 cm
4pcs drawers' size	54.9 cm	40 cm	7 cm
2pcs drawers' size	54.9 cm	40 cm	14 cm
Cabinet thickness	0.8 mm		
Drawer thickness	0.7 mm		
Features:	Side storage cabinet features one fixed bucket		
	Fitted with two fixed and two braked swiveling casters 5"x1.88"		
	PP material work table with steel handle		
	Drawers are fitted with EVA foam liner and ball bearing runners for smooth operation & long time		
	Secure integral locking system supplied with two keys		
<u>Tools</u>			
2pcs Reversible ratchets 1/4" + 1/2"	2pcs Extension bars: 1/4"×50mm; 1/4"×100mm	1pc 1/4" universal joint	
1pc 1/4" sliding bar	1pc flexible sha: 1/4"×150mm	1pc screwdriver handle: 1/4"×65mm	
21pcs S2 screwdriver bits 1/4"×25mm: 4, 5.5, 6.5mm, PH1, PH2, PH3, PZ1, PZ2, PZ3, T10, T15, T20, T25, T30, T40, H2, H2.5, H3, H4, H5, H6	13pcs 1/4" 6 points sockets: 4, 4.5, 5, 5.5, 6, 7, 8, 9, 10, 11, 12, 13, 14mm	20pcs 1/2" 6 points sockets: 8, 9, 10, 11, 12, 13, 14, 15, 16, 17, 18, 19, 20, 21, 22, 23, 24, 27, 30, 32mm	
2pcs Spark plug sockets: 1/2"×16mm; 1/2"×21mm	2pcs Extension bars: 1/2"×125mm; 1/2"×250mm	1pc 1/2" 3-way adaptor	
1pc 1/2" universal joint	7pcs 1/2" 6 points deep sockets: 8, 10, 12, 13, 14, 17, 19mm	5pcs Double end swivel head socket wrench: 8×9mm, 10×11mm, 12×13mm, 14×15mm, 17×19m	
10pcs screwdrivers SL: 6.5×38mm, 3.0×75mm, 5.5×100mm, 6.5×150mm, 8.0×150mm PH: PH2×38mm, PH0×75mm, PH1×100mm, PH2×150mm, PH3×150mm	9pcs ball point long arm hex key: 1.5, 2, 2.5, 3, 4, 5, 6, 8, 10mm	9pcs torx long arm hex key: T10, T15, T20, T25, T27, T30, T40, T45, T50	
1pc Measuring tape: 5m/16ft ×25mm	4pcs T-handle screwdriver: H6.0×200mm, H8.0×200mm, T30×150mm, T45×200mm	1pc 3-LED telescoping pick up tool	
5pcs hooks 6x100mm	9pcs combination spanners: 6, 7, 8, 9, 10, 11, 12, 13, 14,	5pcs Flare nut spanners: 8x10mm, 11x13mm,	

	15, 16, 17, 18, 19, 20, 21, 22, 23, 24mm	12x14mm, 16x18mm, 17x19mm
1pc Two-way mallet: 35mm	1pc Machinist hammer: 500g	5pcs Punches: cold chisel: 13x10x150mm, cape chisel: 5x10x150mm, pin chisel: 8x10x150mm, taper chisel: 2x10x150mm, centre chisel: 3x10x150mm
1pc 180mm/7" Internal circlip pliers, straight	1pc 180mm/7" Internal circlip pliers, bent	1pc 180mm/7" External circlip pliers, straight
1pc 180mm/7" External circlip pliers, bent	1pc 200mm/8" Combination pliers	1pc 200mm/8" Long nose pliers
1pc 160mm/6" Diagonal cutting pliers	1pc 250mm/10" locking pliers	1pc 250mm/10" Water pump pliers
1pc 250mm/10" adjustable wrench	1pc Double function Utility Knife: 61x19mm including 2pcs additional SK2 blades	10pcs SK5 blades: 61x19mm
1pc Hacksaw frame: 300mm/12", including 1pc bi- metal blade	1pair Working gloves	1pc Wire Brush: 4Lines

2. Locker

Quantity: 1

Dimensions	Width	Depth	Height
	90 cm	40 cm	183 cm
Material	Steel		
Color	Black/White		
Brand	Asters or equivalent		
Features	.Lockable and safe storage for your private things		
	.Sturdy steel locker with hanging rail and key lock		
	Ideal for a variety of environments, such as schools, sports facilities and .workplace changing rooms		

3. Compressor

Quantity: 1

Dimensions	Width	Depth	Height
	153 cm	116 cm	60 cm
Tank capacity	270 L		
Suction power	650 L/min		
Sound Pressure level (lpa)	86 dB (A)		
Max pressure	11 bars		
Max speed	1400/min		

Filling capacity	520 L/min
Features	A compressor powerful and robust V-belt for demanding use. Belt drive for low speeds and a particularly quiet operation, working pressure can be regulated according to application by means of a filter pressure reducer with manometer

4. Nozzle Set

Quantity: 1 of each

Air spray gun	600ml, gravity feed
Air blow gun	Nozzle length: 20mm
Air washing gun	1000ml, suction feed
Air tire-inflating gun	0-12 bar, 0-170 psi

5. Hose Reel

Quantity: 2

Hose length	14 m + 1.5 m
Casting material	PP
Hose material	PVC
Diameter	6.5 mm
Fitting	1/4" BSPT
Hose I.D	1/4"
Max air pressure	2 Mpa
Max working pressure	300PSI
Features	Chemical resistance
	UV resistance
	Scratch resistance
	Flexible
	Resistant to high and low temperatures, stretching and aggressive chemicals
	Available in a housing with an automatic reel, which ensures good cable protection and comfort of use
	The included anchors allow easy installation to a work table or wall
	Attached with standard nipples
Automatic hose rewind	

6. Vacuum

Quantity: 1

Capacity	0.4 Liters
Power	75w
Voltage	11v
Battery	Li-ion 2000mAh
Noise Level	75db
Features	Easy to empty and clean
	Low noise
	Long lasting rechargeable battery
	Powerful suction

7. Blower

Quantity: 1

Max. Air volume	91 CFM
Max. Air velocity	179 MPH
No Load Speed	0 – 18,000 RPM
Battery	18V LXT® Lithium-Ion
Overall Length	20-3/4"
Net Weight (with battery)	3.9 lbs.
Blower Type	Handheld
Power Type	Cordless

8. Pressure washer

Quantity: 1

Dimensions	Length	Weight	Height
		40.4 cm	46.1 cm
Supply voltage	230 / 50 V/Hz		
Pressure	20 - up to 160 / 2 - max. 16 bar/MPa		
Flow rate	max. 600 l/h		
Area performance	60 m²/h		
Inlet temperature	Max 60 °C		
Connected load	3 kW		
Power cable	5 m		
Weight without accessories	18.9 kg		

9. ...

9.1 *...*

9.2 *...*

9.3 *...*

9.4 *...*

9.5 *...*

9.6 *...*

9.7 *...*

9.8 *...*

9.9 *...*